

Stock Code: **71005LED-MIR**

Collection: Peninsula

**PRODUCT INFORMATION**

Base: 71005 Parent: 71005LED  
Mounting Type: Wall UPC: 641594238235  
Finish: N/A  
Diffuser: Mirror

**PRODUCT MEASUREMENTS**

FIXTURE	BACKPLATE / CANOPY
Length:	Length
Width: 24"	Width:
Diameter	Diameter:
Height: 32"	Height:
Extension: 1.75"	
Overall Height:	

**TECHNICAL SPECIFICATIONS**

**SPECIFICATIONS**

Frame Material: Steel  
Diffuser Material: Glass  
Lamping Type: SSL (Dedicated LED) Jbox: Standard  
Lamping Base: SSL Lamp Wattage: 25 W  
Lamp Quantity: 1 Total Wattage: 25 W  
Voltage: 120v Lamps Included: Yes

**QUALIFICATIONS**

Location Rating Damp  
Certification: ETL (US/Canada) Listed  
ADA Compliant: Yes Energy Star: No  
JA8 Compliant: No Emergency Lighting: No  
Marine Grade: No Warranty: 5 Year

**PHOTOMETRICS**

Dimmable: No Nominal Lumens 1750 Lm  
CRI: 90 Delivered Lumens: 1257 Lm  
CCT: 3000K  
Recommended Dimmers:

**Additional Notes:**

Horizontal and Vertical Mounting; Optional Color Temperature 50  
Piece Minimum Order Quantity

Project Name: \_\_\_\_\_

Location: \_\_\_\_\_

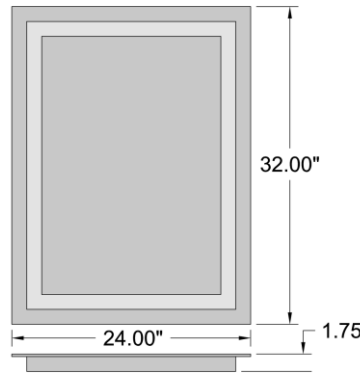
Type: \_\_\_\_\_

Quantity: \_\_\_\_\_

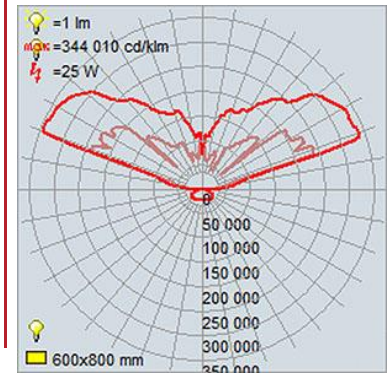
Notes: \_\_\_\_\_



**LINE DRAWING**



**IES FILE**



In addition to Access Lighting's purchase and warranty terms and conditions, by signing below or placing an order, you agree that you are authorized to bind the entity placing any order and acknowledge the following: All of sizes and measurements are approximate and all images are for illustrative purposes only. In the event of an inconsistency, the "Product Measurements" section controls. There also may be slight differences in the colors and designs compared to the displayed and printed images.

Signature: \_\_\_\_\_

Print Name \_\_\_\_\_ Date: \_\_\_\_\_

**Toll Free 800-828-5483 www.AccessLighting.com**

14410 Myford Road, Irvine, CA 92606

